



# WHISK B-20 120/50-60/1 USA

Professional beater. 300 W.



P/N 3030770



## OPTIONAL

- MA-21 mixer arm.
- MA-22 mixer arm.

## SPECIFICATIONS

Total loading: 300 W  
 Motor speed: 200 - 1800 rpm  
 Capacity (egg whites): 2 - 30  
 Electrical supply: 120 V / 50-60 Hz / 1~ (2.6 A)  
 Plug: USA (NEMA 5-15P / 2P+G)

### Length

Revolving arm length: 306 mm  
 Total length (with revolving arm): 570 mm

Net weight: 2.62 kg  
 Noise level (1m.): <80 dB(A)

Crated dimensions  
 440 x 375 x 105 mm  
 Gross weight: 3.3 kg

## SALES DESCRIPTION

- ✓ Variable speed motor block.
- ✓ Whisk with capacity for 2 to 30 egg whites.

## Professional performance

- ✓ Vario-speed: variable speed.
- ✓ Smooth Control: smart speed control. The new SmoothControl system provides a faster response and better stability to the machine. It also improves the start-up under load and limits over-acceleration when removing the machine and in no-load situations.
- ✓ Beater with capacity for 2 to 30 egg whites.

## Maximum comfort for the user

- ✓ Compact design: logical and manageable size.
- ✓ Ergo-design & bi-mat-grip: external casing made in two materials for an ergonomic hold. Anti-slip grip. Optimum inclination of handle, minimising fatigue.
- ✓ Click-on-arm: detachable arm with fast and secure closure.
- ✓ Intuitive use: very simple operation. Warning light when the machine is connected to the mains.

## Built to last

- ✓ Professional performance: capable of carrying out prolonged work without the casing overheating.
- ✓ Life-plus: equipped with a motor which has passed all of the most demanding usage tests.
- ✓ Studied geometry: casing designed to avoid rolling and falling.
- ✓ Easy to clean: detachable, dishwasher safe whisks.
- ✓ Approved by NSF: guaranteed safety and hygiene.

## INCLUDES

- ✓ Variable speed motor block.
- ✓ Wall mount.
- ✓ Whisk BA-20.

DYNAMIC PREPARATION  
COMMERCIAL HAND BLENDERS

product sheet  
updated 06/06/2025





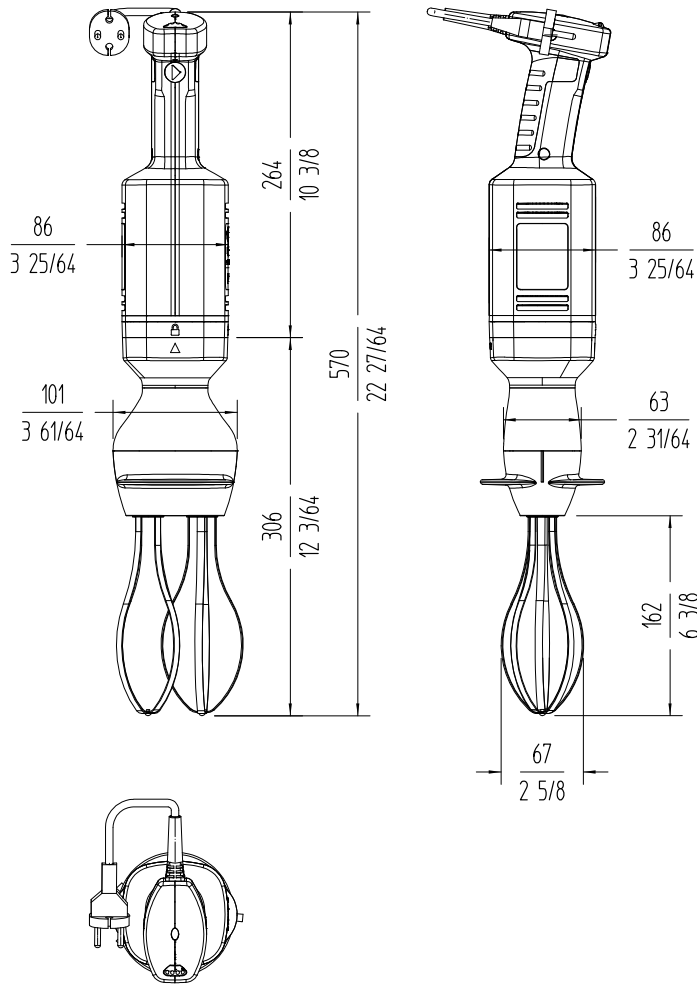
# WHISK B-20 120/50-60/1 USA

Professional beater. 300 W.



P/N 3030770

DYNAMIC PREPARATION  
COMMERCIAL HAND BLENDERS



**sammic** | sammic.com  
Food Service Equipment Manufacturer

Polígono Basarte, 1. phone +34 943 15 72 36  
20720 Azkoitia, Spain sales@sammic.com



Project	Date
Item	Qty
Approved	

product sheet  
updated 06/06/2025