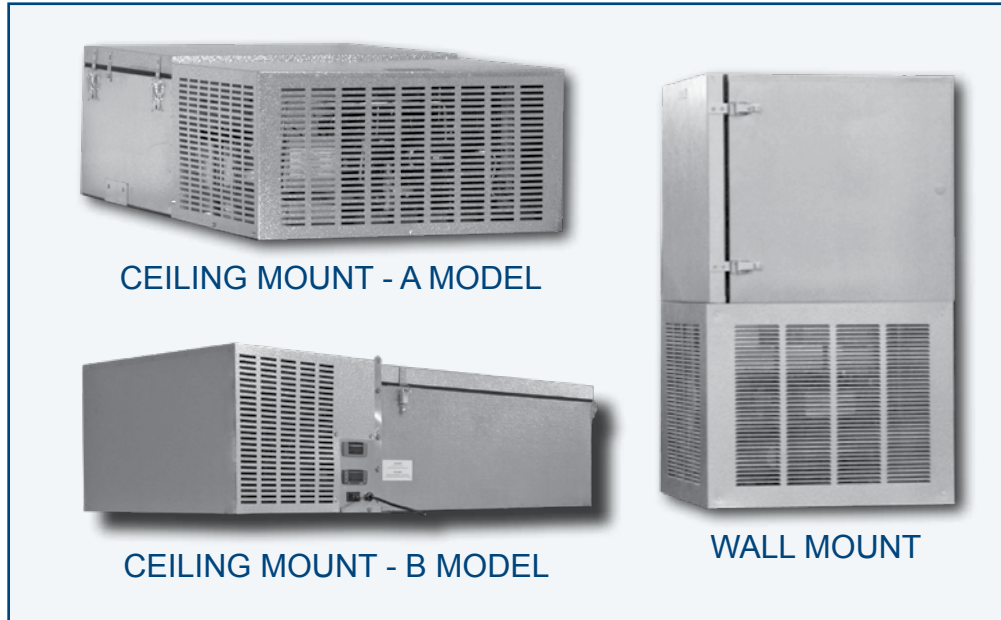




NOR-LAKE, INCORPORATED
727 Second Street
Hudson, Wisconsin 54016

800-955-5253
715-386-2323
866-961-5253 Parts
800-388-5253 Service
715-386-6149 FAX
www.norlake.com

CAPSULE PAK™ REFRIGERATION SYSTEMS



CEILING MOUNT - A MODEL

CEILING MOUNT - B MODEL

WALL MOUNT

PROJECT:
.....
ITEM NUMBER:
.....
MODEL NUMBER:
.....

STANDARD FEATURES

- Available for coolers or freezers
- Indoor or outdoor models
- Two temperatures +35°F and -10°F
- Ceiling or wall mount
- Air cooled condensing unit
- Automatic condensate vaporizer. No drain lines required on indoor units
- Time clock provided for automatic defrost on both coolers and freezers
- UL and C-UL electrical listing on complete Capsule Pak™ refrigeration systems **
- -20°F ambient controls (outdoor models)
- 18 months parts and labor warranty

OPTIONAL FEATURES *

- Condensing unit air deflector kit
- -20°F systems, contact factory for details
- Heater kit for outdoor use where ambient conditions may go below 32°F
- Three phase electrical
- Remote Capsule Pak™ refrigeration system
- Electric condensate vaporizer
- 5 year compressor warranty

* Most options are available two weeks from receipt of order. Please contact us with specific questions.
** C-UL is Underwriters Laboratories Safety Certification Mark which indicates that UL has tested the equipment to applicable CSA Standards.

CAPSULE PAK™ REFRIGERATION SYSTEMS

PHYSICAL SPECIFICATIONS

Capsule Pak™ Refrigeration System Specification

Capsule Pak™ refrigeration systems consist of a unitized system which is factory assembled, wired, charged, tested and fully equipped for insertion into a factory prepared walk-in opening. The Capsule Pak™ system has a flush coil which keeps all components outside the walk-in storage area, allowing more storage inside. Models are available for wall or ceiling mounting for use on indoor or outdoor installations. Models are available for interior compartment design temperatures of +35°F and -10°F. Installation is fast and easy. No plumbing required on indoor units.

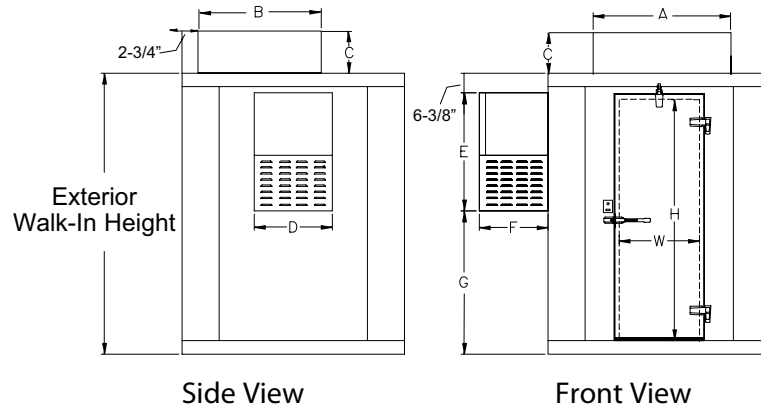
The Capsule Pak™ evaporator section is an integral factory assembled component of the complete Capsule Pak™ refrigeration system. The evaporator section is designed to be located entirely outside the walk-in with no intrusions into the refrigerated space. The evaporator enclosure is constructed utilizing foamed-in-place polyurethane insulation and equipped with a removable, gasketed access cover. Capsule Pak™ models use high efficiency EC evaporator fan motors to circulate air throughout the walk-in.

All indoor Capsule Pak™ models are equipped with either a discharge gas condensate vaporizer or an optional electric condensate vaporizer. All outdoor Capsule Pak™ models are equipped with low ambient controls consisting of crankcase heater, flooded condenser head pressure control and pump down cycle.

All standard Capsule Pak™ refrigeration systems are stocked for same day shipment.

All standard Capsule Pak™ refrigeration systems are UL and C-UL listed.

Note: Allow minimum of 6" clearance above the Capsule Pak™ system for installation*.



Door Opening Size

W	H	Model
26"	59"	45 Series
26"	66"	STD Series
26"	78"	74 Series
26"	78"	77 Series

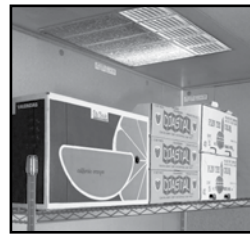
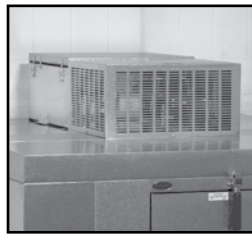
Capsule Pak™ Refrigeration Systems

"G" Dimension Exterior Walk-in Height

Model Number	"A"	"B"	"C"	"D"	"E"	"F"	6'0"	6'7"	7'4"	7'7"
CPB050DC-A	29"	44-1/2"	14-3/4"	N/A	N/A	N/A	N/A	N/A	N/A	N/A
CPB075DC-A	37"	48-1/4"	14-3/4"	N/A	N/A	N/A	N/A	N/A	N/A	N/A
CPB100DC-A	34-1/2"	59"	21-1/4"	N/A	N/A	N/A	N/A	N/A	N/A	N/A
CPB150DC-A	34-1/2"	59"	21-1/4"	N/A	N/A	N/A	N/A	N/A	N/A	N/A
CPF050DC-A	28"	44-1/2"	14-3/4"	N/A	N/A	N/A	N/A	N/A	N/A	N/A
CPF060DC-A	37"	44-1/2"	14-3/4"	N/A	N/A	N/A	N/A	N/A	N/A	N/A
CPF075DC-A	37"	48-1/4"	14-3/4"	N/A	N/A	N/A	N/A	N/A	N/A	N/A
CPF075DC-B	54"	24-1/4"	14-3/4"	N/A	N/A	N/A	N/A	N/A	N/A	N/A
CPF100DC-A	34-1/2"	59"	21-1/4"	N/A	N/A	N/A	N/A	N/A	N/A	N/A
CPF150DC-A	34-1/2"	59"	21-1/4"	N/A	N/A	N/A	N/A	N/A	N/A	N/A
CPF151DC-A	34-1/2"	59"	21-1/4"	N/A	N/A	N/A	N/A	N/A	N/A	N/A
CPF200DC-A	34-1/2"	59"	21-1/4"	N/A	N/A	N/A	N/A	N/A	N/A	N/A
CPB050DCO-A	32"	44-1/2"	16-1/8"	N/A	N/A	N/A	N/A	N/A	N/A	N/A
CPB075DCO-A	43"	48-1/4"	16-1/8"	N/A	N/A	N/A	N/A	N/A	N/A	N/A
CPB100DCO-A	40-1/2"	59"	22-7/8"	N/A	N/A	N/A	N/A	N/A	N/A	N/A
CFB150DCO-A	40-1/2"	59"	22-7/8"	N/A	N/A	N/A	N/A	N/A	N/A	N/A
CPF060DCO-A	43"	44-1/2"	15-7/8"	N/A	N/A	N/A	N/A	N/A	N/A	N/A
CPF075DCO-A	43"	48-1/4"	15-7/8"	N/A	N/A	N/A	N/A	N/A	N/A	N/A
CPF100DCO-A	40-1/2"	59"	22-7/8"	N/A	N/A	N/A	N/A	N/A	N/A	N/A
CPF150DCO-A	40-1/2"	59"	22-7/8"	N/A	N/A	N/A	N/A	N/A	N/A	N/A
CPF151DCO-A	40-1/2"	59"	22-7/8"	N/A	N/A	N/A	N/A	N/A	N/A	N/A
CPF200DCO-A	40-1/2"	59"	22-7/8"	N/A	N/A	N/A	N/A	N/A	N/A	N/A
CPB050DW	N/A	N/A	N/A	25-1/4"	38"	22-1/4"	27-3/8"	34-3/8"	43"	46-3/8"
CPB075DW	N/A	N/A	N/A	44-1/8"	45"	30"	N/A	27-5/8"	36-1/4"	39-5/8"
CPF100DW	N/A	N/A	N/A	44-1/8"	45"	30"	N/A	27-5/8"	36-1/4"	39-5/8"
CPF150DW	N/A	N/A	N/A	44-1/8"	45"	30"	N/A	27-5/8"	36-1/4"	39-5/8"

* Consideration must be given to accessibility for service & free condenser air flow. Consult factory with installation questions
Subject to change without notice

ELECTRICAL DATA

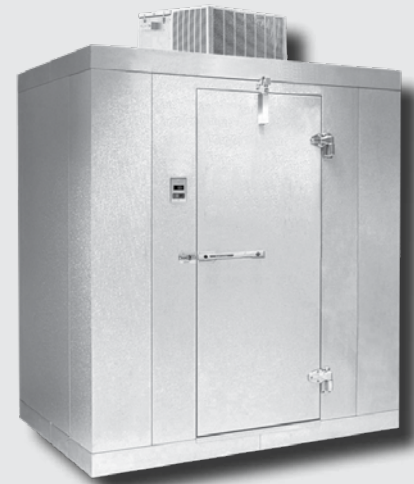


Capsule Pak™ Refrigeration Systems

(All systems use R-404a Refrigerant)

Model #	Electrical	Total Sytem Refrig. Amps	Total System Defrost Amps	Min Circuit Amps	NEMA Plug or Max Fuse Size
CPB050DC-A+	115/60/1	14.3	N/A	N/A	5-20P
CPB075DC-A+	208-230/60/1	8.6	N/A	N/A	6-20P
CPB100DC-A+	208-230/60/1	7.7	N/A	N/A	6-15P
CPB150DC-A	208-230/60/1	10.4	N/A	15.4	25
CPF050DC-A	115/60/1	11.6	5.84	13.5	20
CPF060DC-A+	208-230/60/1	7.7	N/A	N/A	6-20P
CPF075DC-A+	208-230/60/1	7	N/A	N/A	6-15P
CPF075DC-B+	208-230/60/1	5.8	N/A	N/A	6-15P
CPF100DC-A+	208-230/60/1	7.5	N/A	N/A	6-15P
CPF150DC-A	208-230/60/1	12	12.2	13.9	20
CPF151DC-A	208-230/60/1	10	10.2	13.4	20
CPF200DC-A	208-230/60/1	15.7	11.4	17.7	20
CPB050DCO-A	115/60/1	12	N/A	15.3	20
CPB075DCO-A	208-230/60/1	8.6	N/A	12	15
CPB100DCO-A	208-230/60/1	8.2	N/A	11.2	20
CPB150DCO-A	208-230/60/1	10.4	N/A	15.8	25
CPF060DCO-A	208-230/60/1	7.4	7.2	11.4	15
CPF075DCO-A	208-230/60/1	7	6.7	9.65	15
CPF100DCO-A	208-230/60/1	8.6	8.8	10.3	15
CPF150DCO-A	208-230/60/1	9.8	10.9	12	15
CPF151DCO-A	208-230/60/1	11.7	8.45	13.95	20
CPF200DCO-A	208-230/60/1	14.2	10.3	16.4	20
CPB050DW+	115/60/1	11.2	N/A	N/A	5-20P
CPB075DW+	208-230/60/1	8.7	N/A	N/A	6-15P
CPF100DW	208-230/60/1	11.4	7.1	14.9	20
CPF150DW	208-230/60/1	11.2	7.1	14.2	20

+ Cord Connected Equipment
Subject to change without notice



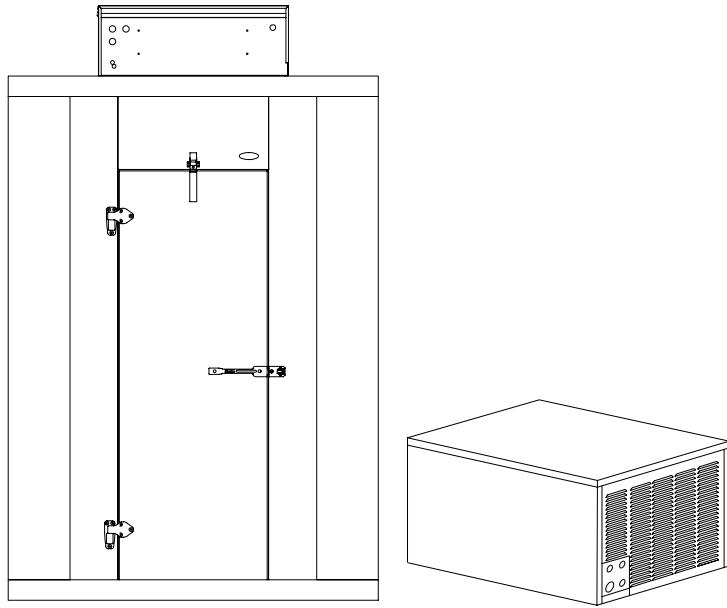
Ceiling Mount Capsule Pak™ System

Ceiling Mount Capsule Pak™ systems are conveniently located on top of the walk-in to maximize available floor space. Available in indoor and outdoor models for single or dual walk-in compartments. Ceiling mount systems are available for same day shipment.



Wall Mount Capsule Pak™ System

The Wall Mount Capsule Pak™ System provides easy access for service and installation where there is not enough room for a ceiling mounted application. Available in indoor and outdoor models for single or dual walk-in compartments. Wall Mount Systems are available to ship in ten days.



These systems include ambient controls, weather-proof hoods, precharged systems with quick connects for simple field connections to precharged lines of your choice. Consult factory for application, pricing and ship date availability.

Remote Capsule Pak™ Refrigeration Systems (All Systems R-449A Refrigerant)

MODEL NUMBER	REFRIG. OPENING SIZE	CONDENSING UNIT					EVAPORATOR UNIT				
		VOLTAGE	COND. AMPS	MIN. CIRCUIT AMPS	MAX FUSE SIZE	AWEF	VOLTAGE	DEFROST AMPS	EVAP AMPS	MIN. CIRCUIT AMPS	MAX FUSE SIZE
CEILING MOUNT 35°F COOLER SYSTEMS											
RCPB075JC-A-EV	MEDIUM	208-230/60/1	5.24	7.18	15	3.62	230/60/1	N/A	1.1	1.3	15
RCPB100JC-A-EV	LARGE	208-230/60/1	7.1	9.8	15	5.01	230/60/1	N/A	1.0	1.3	15
CEILING MOUNT -10°F FREEZER SYSTEMS											
RCPF075JC-A-EV	MEDIUM	208-230/60/1	5.74	7.93	15	N/A	230/60/1	6.7	2.2	6.7	15
RCPF100JC-A-EV	LARGE	208-230/60/1	6.32	8.43	15	N/A	230/60/1	8.8	1.2	8.8	15
RCPF150JC-A-EV	LARGE	208-230/60/1	12.4	16.3	20	N/A	230/60/1	10.7	1.1	10.7	15

Enviro-Control™ Standard on Remote Capsule Pak Systems

Enviro-Control is a highly efficient electronic controller designed to increase reliability, connectivity and food safety while reducing operating costs.

- Adjust many functions of your Capsule Pak system through the simple interface
- With an optional router you can monitor and control your system from your desktop, smartphone or tablet



Optional Electric Condensate Vaporizer

The electric condensate vaporizer for Remote Capsule Pak™ Systems is exclusive to Nor-Lake. Because this UL and C-UL approved option requires no drain lines on indoor applications, installation is simple and equipment is operational faster.

NOR-LAKE, INCORPORATED
 727 Second St.
 Hudson, WI 54016
 800-955-5253
 715-386-2323
 800-388-5253 PARTS, INSTALLATION, WARRANTY
 715-386-4291 FAX
 www.norlake.com



Revision Date: 7/19
 Part Number: 132724