



# WHISK B-30 120/50-60/1 USA

Professional beater. 400 W.



P/N 3030807



## INCLUDES

- ✓ Variable speed motor block
- ✓ Whisk BA-30.
- ✓ Wall mount.

## OPTIONAL

- MA-31 mixer arm.
- MA-32 mixer arm.
- MA-33 mixer arm.

## SPECIFICATIONS

Total loading: 400 W  
 Motor speed: 200 - 1500 rpm  
 Capacity (egg whites): 2 - 50  
 Electrical supply: 120 V / 50-60 Hz / 1~ (3.5 A)  
 Plug: USA (NEMA 5-15P / 2P+G)

### Length

Revolving arm length: 396 mm  
 Total length (with revolving arm): 704 mm

Net weight: 3.51 kg  
 Noise level (1m.): <80 dB(A)

Crated dimensions  
 455 x 475 x 117 mm  
 Gross weight: 4.5 kg

## SALES DESCRIPTION

- ✓ Variable speed motor block.
- ✓ Whisk with capacity for 2 to 50 egg whites.

## Professional performance

- ✓ Vario-speed: variable speed.
- ✓ Smooth Control: smart speed control. The new SmoothControl system provides a faster response and better stability to the machine. It also improves the start-up under load and limits over-acceleration when removing the machine and in no-load situations.
- ✓ Beater with capacity for 2 to 50 egg whites.

## Exclusive TiltStop system

- ✓ Your hand blender will stop in case of a fall or excessive tilt from the vertical position.
- ✓ Moreover, it won't initiate unless it's in the correct usage position.
- ✓ This ensures optimal operation and increases the operator's safety at the workplace.

## Maximum comfort for the user

- ✓ Compact design: logical and manageable size.
- ✓ Ergo-design & bi-mat-grip: external casing made in two materials for an ergonomic hold. Anti-slip grip. Optimum inclination of handle, minimising fatigue.
- ✓ Click-on-arm: detachable arm with fast and secure closure.
- ✓ Intuitive use: very simple operation. Warning light when the machine is connected to the mains.

## Built to last

- ✓ Professional performance: capable of carrying out prolonged work without the casing overheating.
- ✓ Life-plus: equipped with a motor which has passed all of the most demanding usage tests.
- ✓ Studied geometry: casing designed to avoid rolling and falling.
- ✓ Easy to clean: detachable, dishwasher safe whisks.
- ✓ Approved by NSF: guaranteed safety and hygiene.

DYNAMIC PREPARATION  
COMMERCIAL HAND BLENDERS

product sheet  
updated 26/02/2025





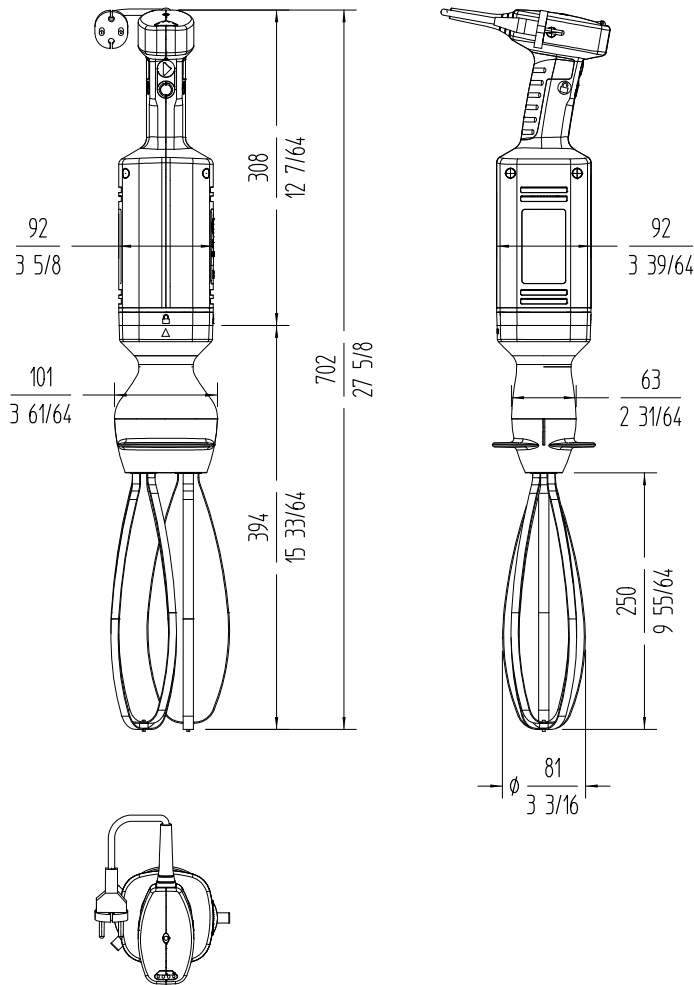
# WHISK B-30 120/50-60/1 USA

Professional beater. 400 W.



P/N 3030807

DYNAMIC PREPARATION  
COMMERCIAL HAND BLENDERS



**sammic** | [www.sammic.com](http://www.sammic.com)  
Food Service Equipment Manufacturer

Polígono Basarte, 1. phone +34 943 15 72 36  
20720 Azkoitia, Spain [sales@sammic.com](mailto:sales@sammic.com)



Project	Date
Item	Qty
Approved	

product sheet  
updated 26/02/2025