



ITEM NO. _____
 PROJECT _____
 LOCATION _____
 DATE _____ QTY. _____

CAPSULE PAK ECO™

Self-Contained Indoor
 Refrigeration Systems With
 Natural Refrigerant

COOLERS

- CPB050PC-S-0
- CPB075PC-S-0
- CPB100PC-S-0

FREEZERS

- CPF050PC-S-0
- CPF075PC-S-0
- CPF100PC-S-0
- CPF150PC-S-4



R290
 ECO-FRIENDLY
 NATURAL REFRIGERANT



**PATENT
 PENDING
 DESIGN**

FEATURES

- Condensing unit and evaporator coil contained in a single housing ready to mount on top of your Norlake walk-in
- Indoor ceiling mount models
- Available for coolers or freezers
- Systems may be specified for walk-in rooms 14' long and under
- Two temperatures: +37°F and -10°F
- Air cooled condensing unit
- Automatic condensate evaporator
- LogiTemp™ electronic controller system
- Electronic control provided for automatic defrost on both coolers and freezers
- All models feature standard cord and plug eliminating the need for field connection
- UL and C-UL electrical listing on complete Capsule Pak ECO refrigeration systems*
- DOE, CARB and SNAP compliant
- 18 months parts and labor warranty (optional 5 year compressor warranty available)

OPTIONS

- Five year compressor warranty

* C-UL is Underwriters Laboratories Safety Certification Mark which indicates that UL has tested the equipment to applicable CSA Standards.



CAPSULE PAK ECO™

SELF-CONTAINED REFRIGERATION SYSTEMS WITH NATURAL REFRIGERANT

SYSTEM SPECIFICATIONS

Capsule Pak ECO™ refrigeration systems consist of a single assembly pre-charged condensing unit and evaporator coil factory assembled, wired, tested and ready for insertion into a factory prepared walk-in ceiling opening.

Capsule Pak ECO systems are ceiling mount. A flush evaporator coil keeps all components outside the walk-in storage area allowing more storage inside. Capsule Pak ECO systems are for indoor installations only. Models are available for interior compartment design temperatures of +37°F and -10°F. Installation is fast and easy with no plumbing required.

The evaporator section is designed to be located entirely outside the walk-in with no intrusions into the refrigerated space. The evaporator enclosure is constructed utilizing

foamed-in-place polyurethane insulation and equipped with a removable, gasketed access cover. High efficiency EC evaporator fan motors circulate air throughout the walk-in.

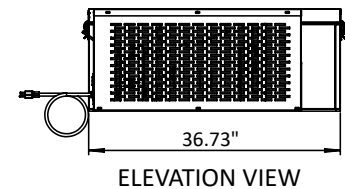
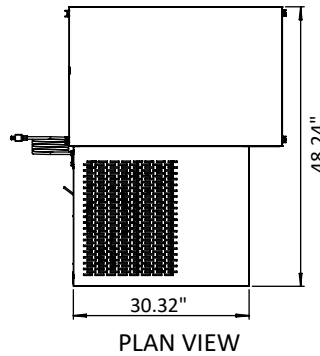
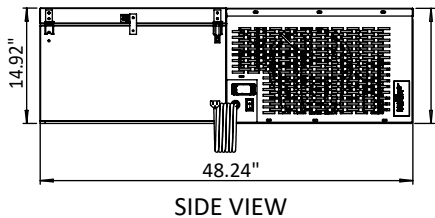
Capsule Pak ECO systems incorporate a condensate pan with wicks and warm air from the condenser fan to dissipate condensate.

Capsule Pak ECO systems are UL and C-UL listed and DOE compliant. They are also designed to be paired with a Norlake UL listed ignition protected walk-in.

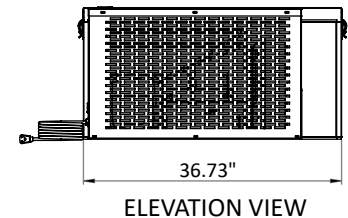
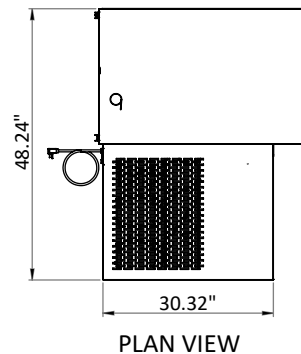
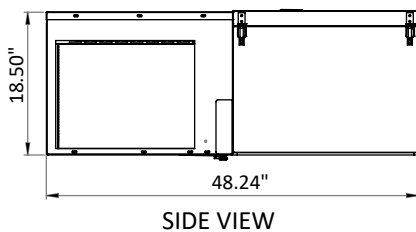
Allow a minimum clearance of 24" on each side of the system for installation. Consideration should be given to accessibility for service and free condenser air flow. Consult factory with installation questions.

PHYSICAL SPECIFICATIONS

050 & 075 Models



100 & 150 Models



NOTE:

- Consideration must be given to accessibility for service and free condenser air flow. Consult factory with installation questions.
- Proper condensing unit ventilation must be provided. The factory recommends 200cfm of fresh air in the surrounding area with ample clearance around the condensing unit.
- Subject to change without notice.



CAPSULE PAK ECO™

SELF-CONTAINED REFRIGERATION SYSTEMS WITH NATURAL REFRIGERANT

ELECTRICAL DATA

INDOOR REFRIGERATION SYSTEMS (CORD AND PLUG CONNECTED)

MODEL	REFRIGERANT	ELECTRICAL	TOTAL SYSTEM AMPS	NEMA PLUG	AWEF	BTUH*
CPB050PC-S-0	R290	115/60/1	6.9	5-15P	5.61	4100
CPB075PC-S-0	R290	115/60/1	11.4	5-20P	5.61	6700
CPB100PC-S-0	R290	115/60/1	15.3	5-20P	5.61	8800
CPF050PC-S-0	R290	115/60/1	6.9	5-15P	1.96	1600
CPF075PC-S-0	R290	115/60/1	11.4	5-20P	2.07	2900
CPF100PC-S-0	R290	115/60/1	15.3	5-20P	2.18	4000
CPF150PC-S-4	R290	230/60/1		6-20P		

*BTUH calculated using 16 hour design runtimes on coolers and 20 hour design runtimes on freezers, 90°F ambient.

Note:

- Consult factory for application specifics, pricing and ship date availabilities.
- All Capsule Pak ECO systems require a single power supply.

STANDARD LOGITEMP™ ELECTRONIC CONTROLLER SYSTEM



FOOD SAFETY

- More precise and reliable controls than an all-mechanical system for increased food safety
- Should there be an issue with the refrigeration system, operators will know instantly through error codes

INSTALLATION SAVINGS

- Controller is already installed on the Capsule Pak ECO™ refrigeration system so no additional installation is necessary

All specifications within this publication subject to change without notice.



891 County Road U • Hudson, WI 54016 • 800-955-5253 • norlake.com

171573-5/22
©2022 Norlake, Inc. All rights reserved.