

Get out all the good.

Stainless Steel Steam Table Pan Pumps



Dispense toppings straight from the corresponding fractional sized pan

Tall models have a 3" (7.6 cm) taller discharge tube for deeper refrigeration equipment

Precise portions control food costs and ensure flavor consistency

Pump knobs can be colored or engraved for easy identification



Stainless Steel Steam Table Pan Pumps
Models CP-1/6, CP-1/4, CP-1/3 & CP-1/2 DL



CP-1/6
83400

CP-1/6 2 oz
87630

CP-1/3
83430

CP-1/3 2 oz
87640

CP-1/2 DL
83480

CP-1/3 Tall
83441

CP-1/6 Tall
83433

See reverse for additional models

FAST FACTS

- 1 oz (30 mL) max portion reduces in 1/8 oz (3.7 mL) increments
- NSF listed, clean-in-place certified or disassemble for cleaning

APPLICATIONS

- Organize toppings like ketchup and other dressings in a cooled sandwich assembly station
- Warm gravies, marinara sauces and more in steam tables and warmers for dispensing

Purposefully made to last.

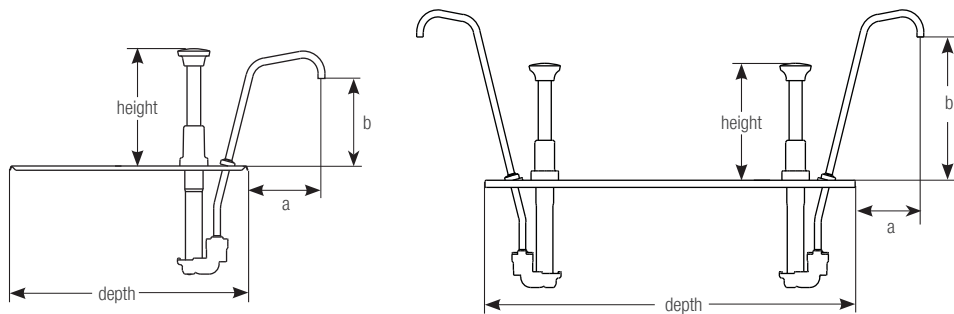
Stainless Steel Steam Table Pan Pumps

Models CP-1/6, CP-1/6 2 OZ, CP-1/4, CP-1/3, CP-1/3 2OZ & CP-1/2 DL

DISPENSES	THIN fountain syrups • oils • hot sauce
	THICK ketchup • mustard • mayonnaise • bbq
	THICKER tartar sauce • crafted sauces
APP	AMBIENT
	COLD
	HOT

SPECIFIER STATEMENT

87630 | 87640 | 83400 | 83420 | 83430 | 83480 | 83433 | 83437 | 83441 | 83447: Server Products stainless steel steam table pan pump models dispense sauces from fractional pans held in steam tables or refrigeration units; pump and lid assembly fit corresponding pan sizes. Pumps dispense 1 oz (30 mL) max portion; adjustable in 1/8 oz (3.7 mL) increments. Tall models have 3" (7.6 cm) taller discharge tube to fit deeper refrigeration equipment. Two-year warranty. Ships FOB Richfield, WI 53076.



order quantity	dispenses	model/item	application	capacity	dimensions (H x W x D)	dim a	dim b	full portion	weight
<input type="checkbox"/>		CP-1/6, 2 oz 87630		2.7 qt 2.6 L	7 1/4" x 6 7/16" x 7 1/16" 18.4 x 16.4 x 17.9 cm			2 oz 60 mL	3 lb 1.4 kg
<input type="checkbox"/>		CP-1/3, 2 oz 87640		6.1 qt 5.8 L	7 1/4" x 7 1/8" x 13 1/16" 18.4 x 18.1 x 33.2 cm				
<input type="checkbox"/>		CP-1/6 83400		2.7 qt 2.6 L	6 1/4" x 6 7/16" x 7 1/16" 15.9 x 16.4 x 17.9 cm	4"	4 5/8"		
<input type="checkbox"/>		CP-1/4 83420		4.5 qt 4.3 L	6 1/4" x 6 5/8" x 10 1/2" 15.9 x 16.8 x 26.7 cm			1 oz 30 mL	3 lb 1.4 kg
<input type="checkbox"/>		CP-1/3 83430		6.1 qt 5.8 L	6 1/4" x 7 1/8" x 13 1/16" 15.9 x 18.1 x 33.2 cm				
<input type="checkbox"/>		CP-1/2 DL 83480		10 qt 9.5 L	6 1/4" x 6 9/16" x 20 15/16" 15.9 x 16.7 x 53.2 cm	3 5/8"	4 5/8"		5 lb 2.3 kg
<input type="checkbox"/>		CP-1/6 Tall 83433		2.7 qt 2.6 L	6 1/4" x 6 7/16" x 7 1/16" 15.9 x 16.4 x 17.9 cm				
<input type="checkbox"/>		CP-1/4 Tall 83437		4.5 qt 4.3 L	6 1/4" x 6 5/8" x 10 1/2" 15.9 x 16.8 x 26.7 cm	4 1/16"	7 5/8"	1 oz 30 mL	3 lb 1.4 kg
<input type="checkbox"/>		CP-1/3 Tall 83441		6.1 qt 5.8 L	6 1/4" x 7 1/8" x 13 1/16" 15.9 x 18.1 x 33.2 cm				
<input type="checkbox"/>		CP-1/2 DL Tall 83447		10 qt 9.5 L	6 1/4" x 6 9/16" x 20 15/16" 15.9 x 16.7 x 53.2 cm	3 11/16"	7 5/8"		5 lb 2.3 kg

RELATED ITEMS

Steam Table Pans

Server has 6" deep steam table pans available, sold separately, in 1/6 (90089) and 1/3 (90083) sizes.



Colored, Engraved Knobs

Interchangeable engraved and colored knobs help staff and patrons identify contents, coordinate with store themes or promote branded products. Specify color and text at time of order – exact shade may vary.

